

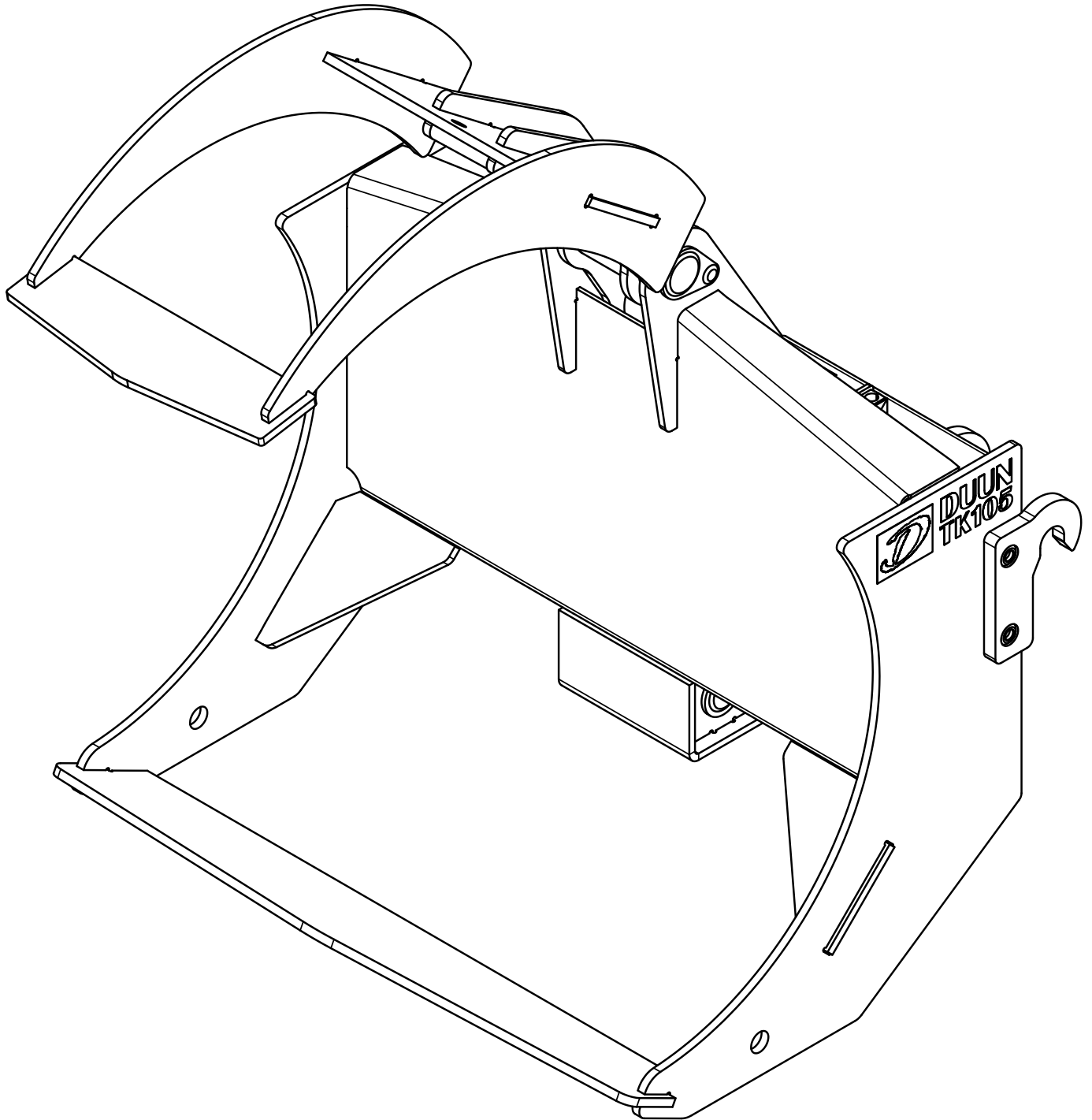


Duun Industrier as
7630 Åsen, Norway
www.duun.no

Wood grab TK105

Instruction manual

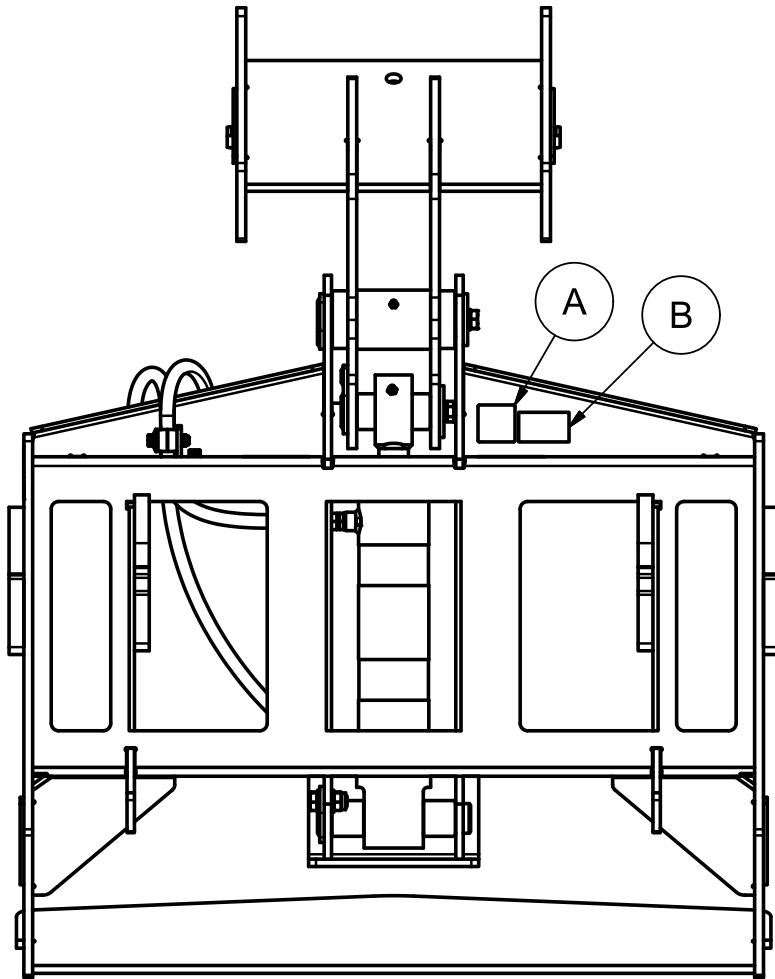
Series number.:from 140001



Congratulations with your Duun TK105 wood grab.

All Duun tractor operated machines has been engineered and tested in close cooperation with end users of our products. This in order to develop reliable and user friendly equipment

Please read the instructions manual before you start using the grab



Machine identification

Serial number and manufacturer should be indicated at badge (A)

Register serial No and time of delivery as indicated.

Do always specify serial number every time requesting service for the machine.

The machine has a CE-badge (B) this confirms that the machine has been manufactured in conformity with: Directive 2006/42/EC Machinery.

Serienummer

Leveringstidspunkt (mnd/år)

Contents

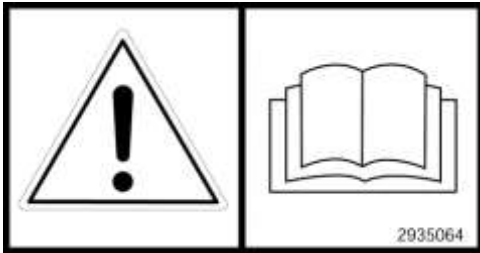
<u>MACHINE IDENTIFICATION</u>	2
<u>SAFETY</u>	4
<u>WARRANTY TERMS</u>	5
<u>SPECIFICATIONS</u>	6
<u>PREPARATION FOR USE</u>	7
<u>PRACTICAL USE</u>	7
<u>ADJUSTMENTS AND MAINTENANCE</u>	8
<u>DECLARATION OF CONFORMITY</u>	9

SAFETY

You should always work with care when you employ agricultural machinery. Read and observe the safety instructions in this binder. Your safety is your responsibility!



Be particularly aware of warning signs with this symbol it marks measures that must be carried out in order to avoid accidents. The symbol appears in the instruction manual and on warning signs on the machine.



1 Instruction manual

All operators, mechanics and the owner must be well acquainted with the instruction in this instruction manual before the machine is taken into use



2 The safety of the surroundings

The machine had to be operated by one person only. The operator shall have close attention to surroundings during use. Be very careful when other person or animals are close to machine or tractor during use



3.Safety

Do always disconnect hydraulic functions during maintenance or repair.



4 Hydraulic high fluid pressure.

Be careful when you work with hydraulics. Wear eye protection and gloves. Hydraulic oil under great pressure may penetrate the skin and cause serious infections. See a doctor if you have had an injury. Ensure that no-one is standing close by when hydraulic functions are performed.



5 Crushing risks

Be especially aware of crushing risk at points marked with this sign.

Never expose limbs to such risk during use

Warranty terms

Duun wood grab TK105 has a 12 month guarantee against defects in materials and workmanship.

Parts that are not originally manufactured by Duun Industrier as, for example shafts, bearings etc. are subject to these suppliers' guarantees and terms.

In cases when a repair is considered to be covered by the guarantee, the representative must inform the supplier's representatives that the repair is intended executed on the basis of the guarantee.

In this context, the following information must be recorded:

- Product name
- The product's serial no. (see the machine identification pp. 6 and 7]
- Date of sale
- The product owner's telephone no.
- Dealer with address, telephone no.

In case of such a repair, the supplier is presented with a claim within 3 weeks after the repair date.

Replaced parts are to be kept until a decision has been made with reference to the claim and the replaced parts are to be forwarded to Duun Industrier as for assessment if so required.

As the employment of the product is beyond our control, we may only guarantee the quality and do not accept liability for the product's general performance.

The guarantee liability assumes that the prescribed maintenance has been carried out.

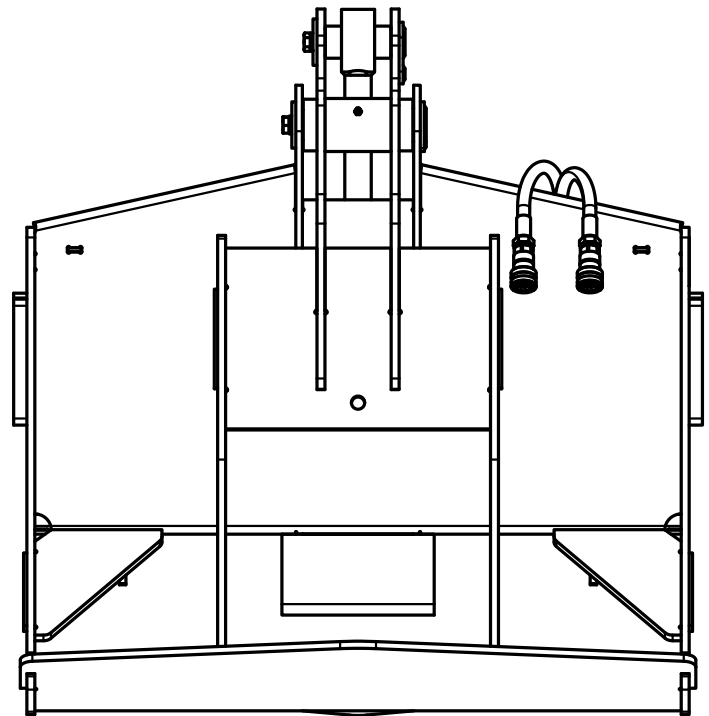
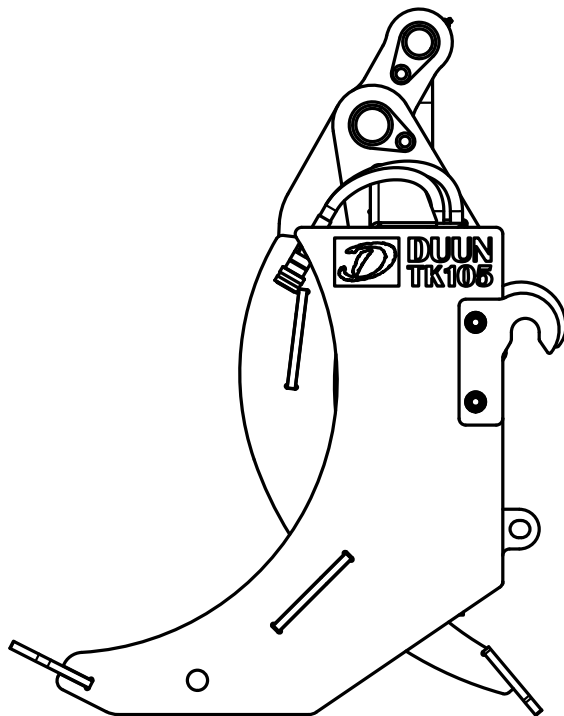
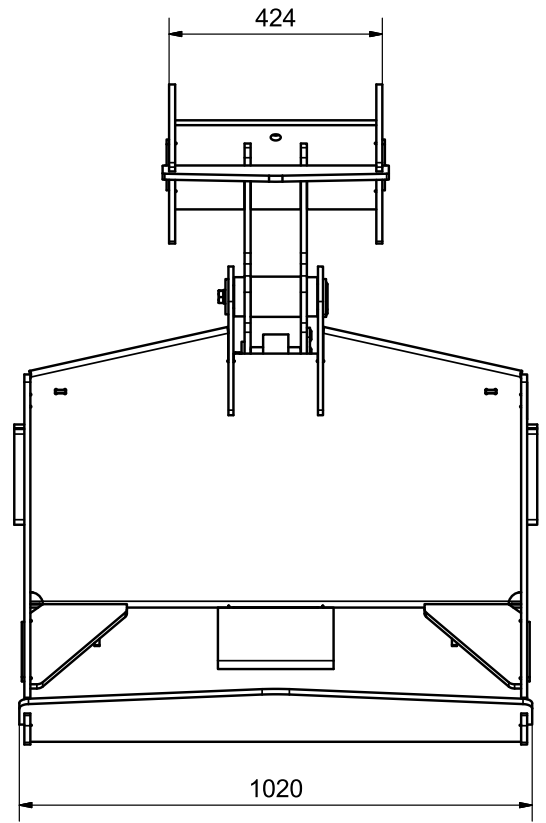
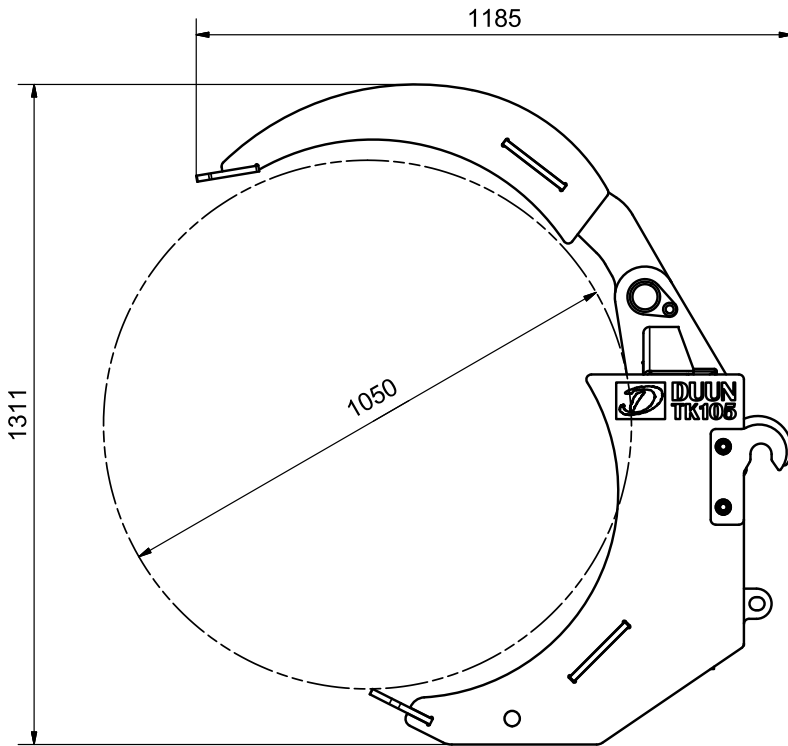
Duun Industrier as reserves the right to modify the design and specifications and/or make alterations and improvements without notification.

What is not included by the guarantee

- The guarantee does not cover economic loss as a consequence of interruptions.
- The guarantee does not cover consequential loss due to defects.
- The guarantee does not cover defects or damage caused by misuse and use that is not in accordance with the instruction manual's specifications and guidelines.

Specifications

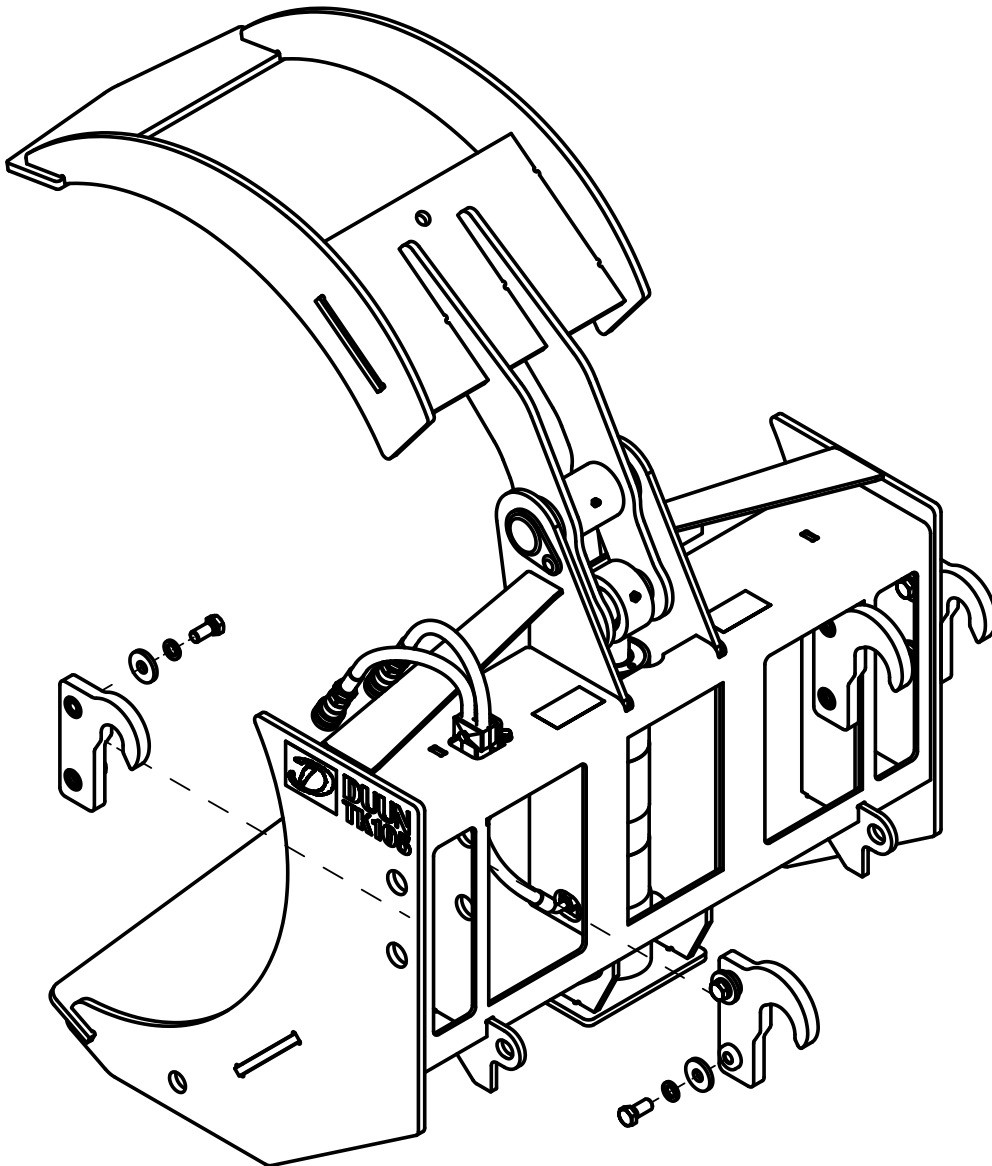
Measures indicated at drawings are in millimeters..



Weight : 235kg

Preparation for use

The wood grab is delivered with either Trima or Euro fastening brackets for the loader. These brackets are screw mounted to the grab and must be fastened before first time use. Brackets to be bolted to fastening holes as indicated



The grab then had to be connected to the loader and locked with the loaders locking mechanism. Hydraulic hoses had to be connected to the tractor and it is now ready for use.

Practical use

The operator is obliged to secure the grabs working environment so that nobody but the operator is close to the implement during use.

Consider the loads being lifted during use.

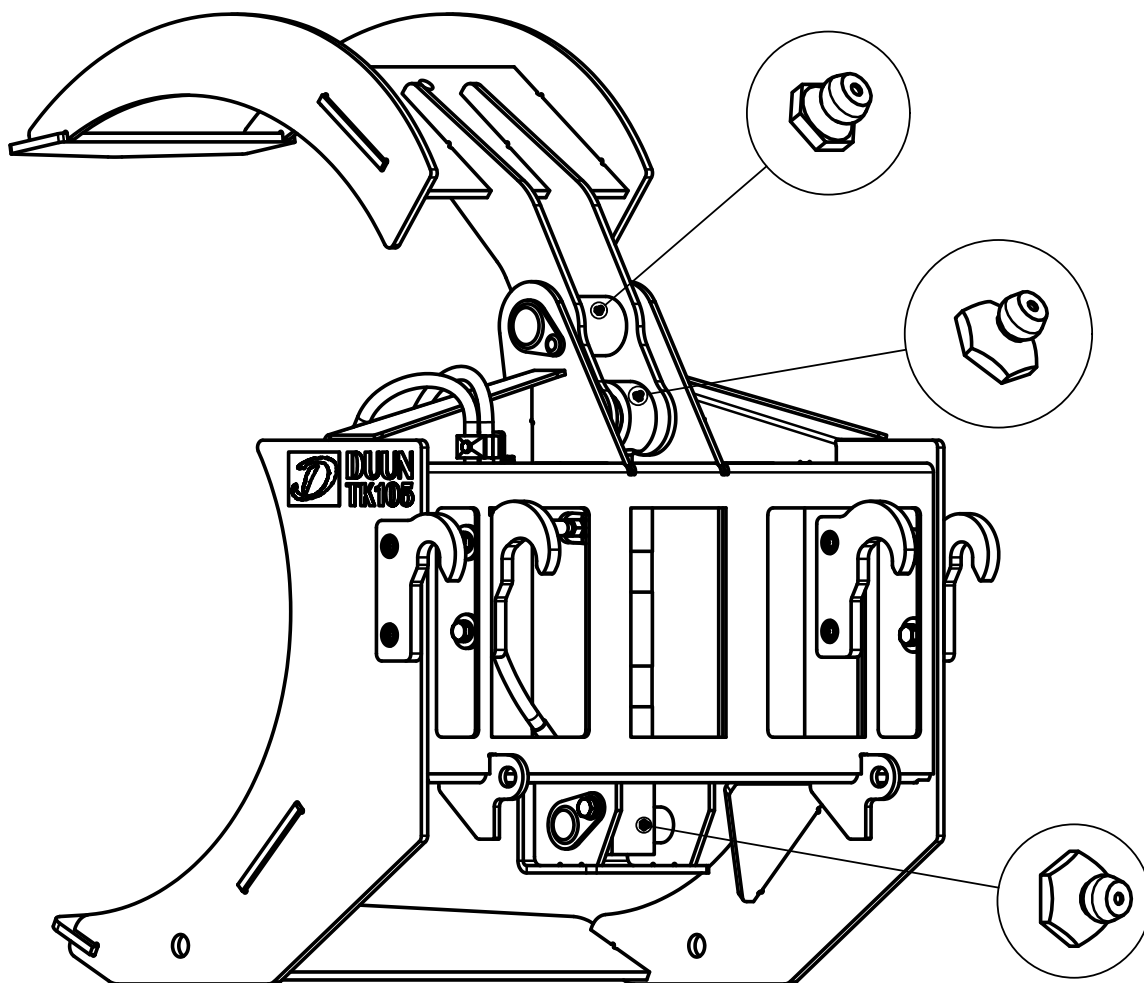
It is important to take into consideration the tractor capacity and weight.

Adapt speed and lifting height to the foundation for the loading machine is.

Logs have to be lifted so that weight distribution is the same at each side in order to avoid massive strain risking that the loader tilts.

Adjustments and maintenance

After 5 hours use – re-tighten all screw connections.



Greasing points are illustrated.

Declaration of conformity

Responsible person

Name: Karl Martin Eggen
Position: CEO
Company name: Duun Industrier as
Address: N-7630 Åsen
Norway
Telephone: +47 74 01 59 00

Person responsible for the technical documentation: Rolf Even Duun

Declares that the following machine: TK105 Wood grab
Manufacturer: Duun Industrier as
Type Duun Wood grab TK105
is in accordance with:

Directive 2006/42/EC Machinery

Signed by:


 Duun
Industrier as

Karl Martin Eggen

Åsen, 15.09.2020